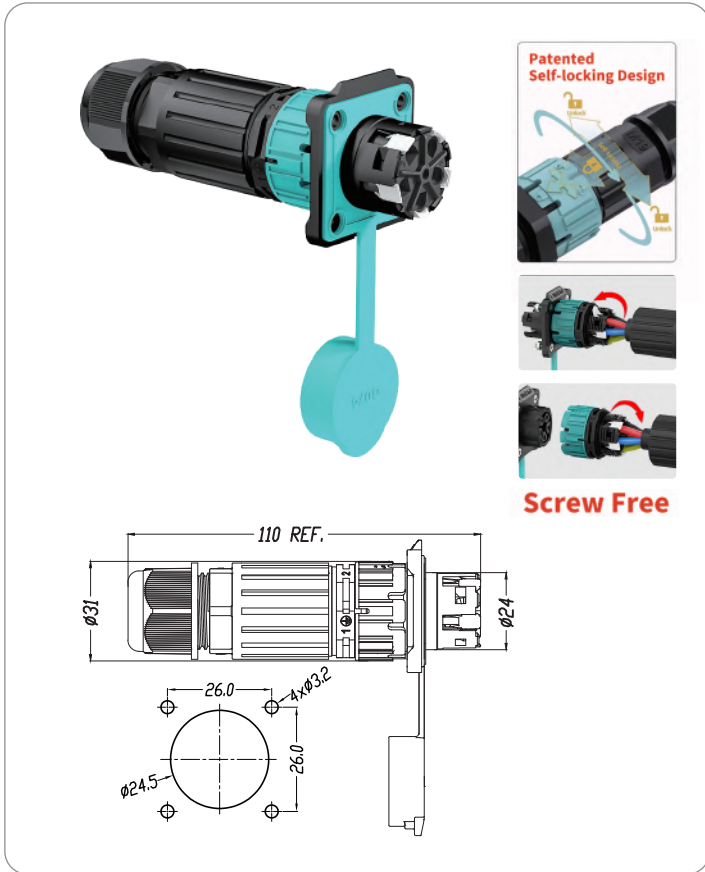


IP68 Waterproof Connector



EW-P25MP-XP (Flange)

(X can be 4/5, denoting the number of poles)

Wiring methods:

Screwless fast wiring: : Suitable for 4/5 pins

Housing Material: PA66

Seal Ring Material: Silicone Rubber

Terminal Material: Copper alloy

IP Rating: IP68

Fire Rating: UL94 V-0

Rated Voltage: 450V

Rated Current: 16A

Wire Section: 0.5~2.5mm²

Outer Cable Diameter: 5-9mm, 9-12mm, 10-14mm

Pluggable Life: 1,500 times

Ambient Temperature: -40°C~105°C

Warranty: 3 Years

Packaging

Export Carton (L*W*H): 42*30*34cm

Quantity: 50pcs / PE PACK (Male & Female end packed individually)

400 sets / CTN

Gross Weight: Est. 19KGs(The actual weight will be a little bit different per different SKUs)

Options

Number of Poles	4Pin	5Pin	
Seal ring			
Cable range	5~9mm	9~12mm	10~14mm
Stripping length	6~8mm		



Installation Illustration

