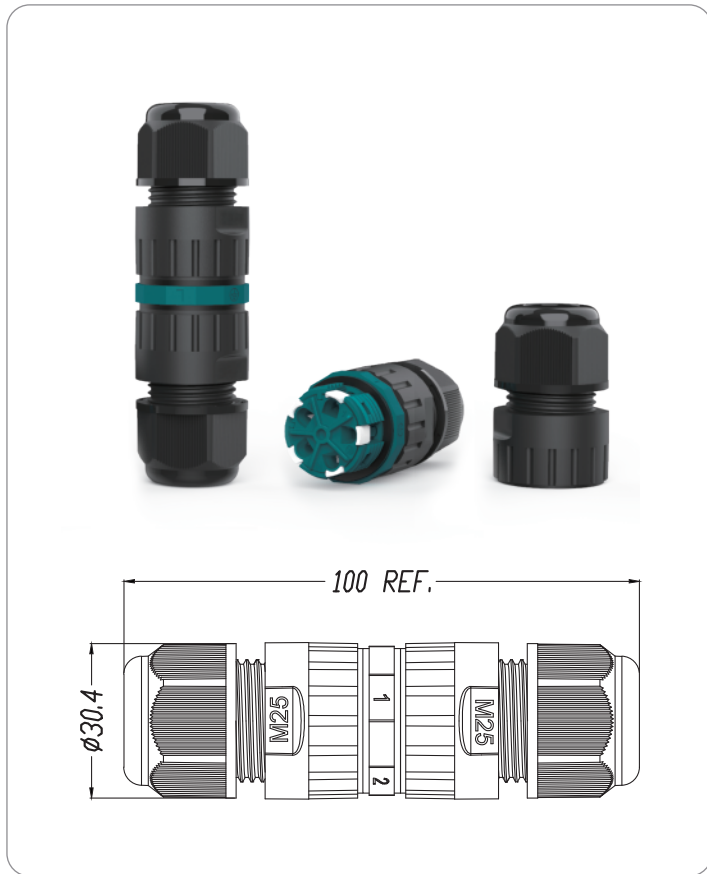


# IP68 Waterproof Connector



## EW-P25-XP

(X can be 4/5, denoting the number of poles)

Wiring method:

Screwless fast wiring

Housing Material: PA66

Seal Ring Material: Silicone Rubber

Terminal Material: Copper alloy

IP Rating: IP68

Fire Rating: V0

Rated Voltage: 450V

Rated Current: 16A

Wire Section: 0.5~2.5mm<sup>2</sup>

Outer Cable Diameter: 5-9mm, 9-12mm, 10-14mm

Ambient Temperature: -40°C~105°C

Warranty: 3 Years

## Packaging

Export Carton (L\*W\*H): 42\*30\*26cm






Quantity: 25pcs / PE PACK

250pcs / CTN

Gross Weight: EW-P25-4P --- 12.0KGs

EW-P25-5P --- 12.3KGs

## Options

Number of Poles	 4Pin	 5Pin	
Seal ring			
Cable range	5~9mm	9~12mm	10~14mm
Stripping length	10~12 mm		



## Installation Illustration

