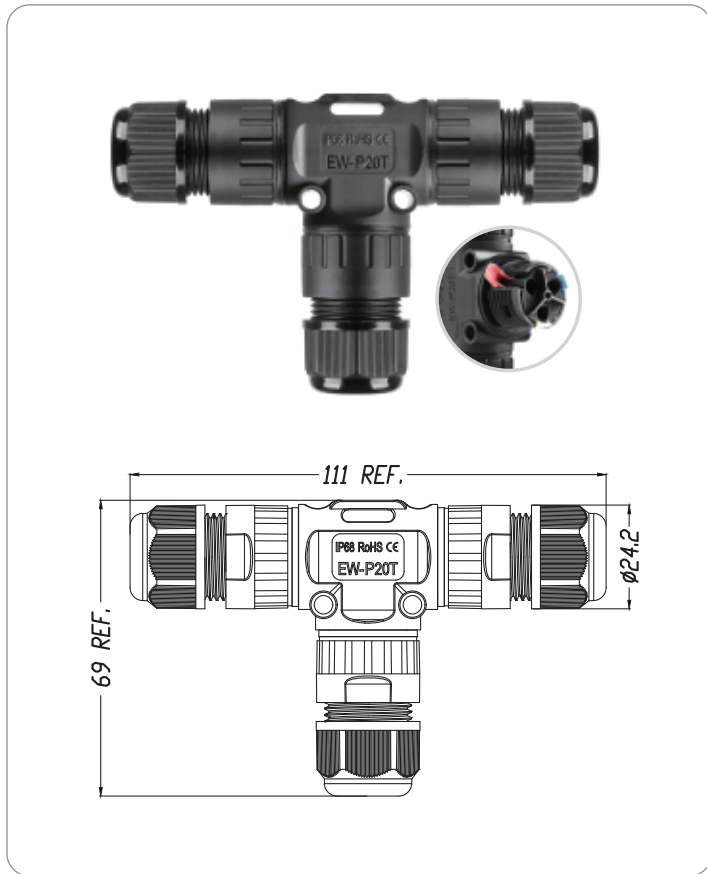


# IP68 Waterproof Connector



## EW-P20T-XP

(X can be 2/3, denoting the number of poles)

Wiring Method:

Screwless fast wiring

Housing Material: PA66

Seal Ring Material: Silicone Rubber

Terminal Material: Copper alloy

IP Rating: IP68

Fire Rating: V0

Rated Voltage: 450V

Rated Current: 16A

Wire Section: 0.5~1.5mm<sup>2</sup>

Outer Cable Diameter: 5-9mm, 9-12mm

Ambient Temperature: -40°C~105°C

Warranty: 3 Years

## Options

Number of Poles	2Pin	3Pin
Seal ring		
Cable range	5~9mm	9~12mm
Stripping length	10~12 mm	

## Packaging

Export Carton (L\*W\*H): 42\*30\*34cm

Quantity: 25pcs / PE PACK

250pcs / CTN

Gross Weight: EW-P20T-2P --- 16.2KGs

EW-P20T-3P --- 16.5KGs



## Installation Illustration

