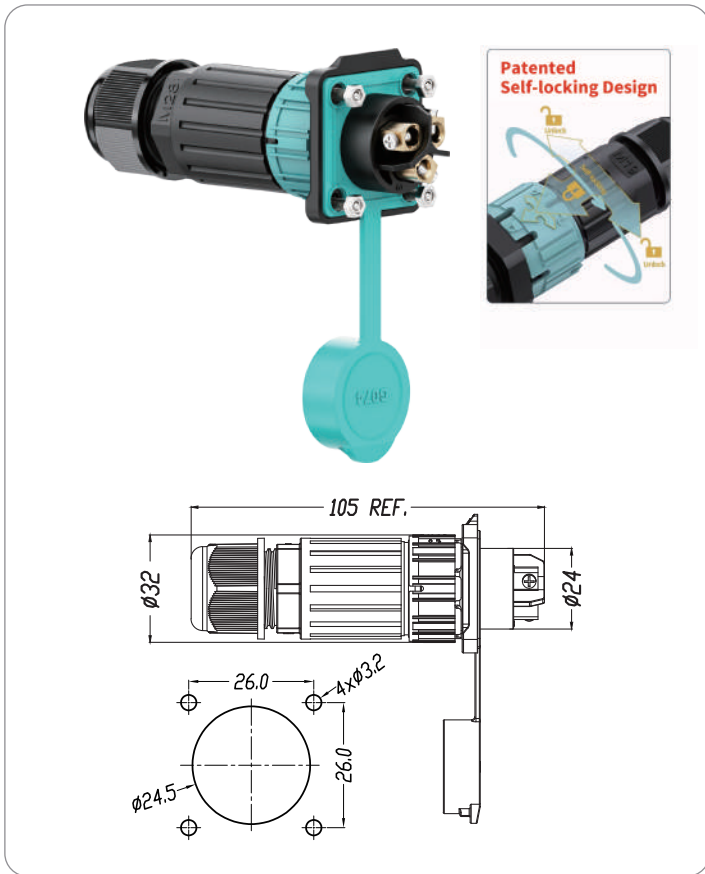


# IP68 Waterproof Connector



## EW-M28MP-XP (Flange)

(X can be 3, denoting the number of poles)

Wiring methods:

Welding connection: Suitable for 3 pins

Screw connection: Suitable for 3 pins

Housing Material: PA66

Seal Ring Material: Silicone Rubber

Terminal Material: Copper alloy

IP Rating: IP68

Fire Rating: UL94 V-0

Rated Voltage: 450V

Rated Current: 16A

Wire Section: 0.5~6mm<sup>2</sup>





Outer Cable Diameter: 5-9mm, 9-12mm, 10-14mm

Pluggable Life: 1,500 times

Ambient Temperature: -40°C~105°C

Warranty: 3 Years

## Options

Number of Poles	 3Pin		
Seal ring			
Cable range	5~9mm	9~12mm	10~14mm
Stripping length	6~8mm		

## Packaging

Export Carton (L\*W\*H): 42\*30\*34cm

Quantity: 25pcs / PE PACK (Male & Female end packed individually)

200 sets / CTN

Gross Weight: Est. 13KGs(The actual weight will be a little bit different per different SKUs)



## Installation Illustration

