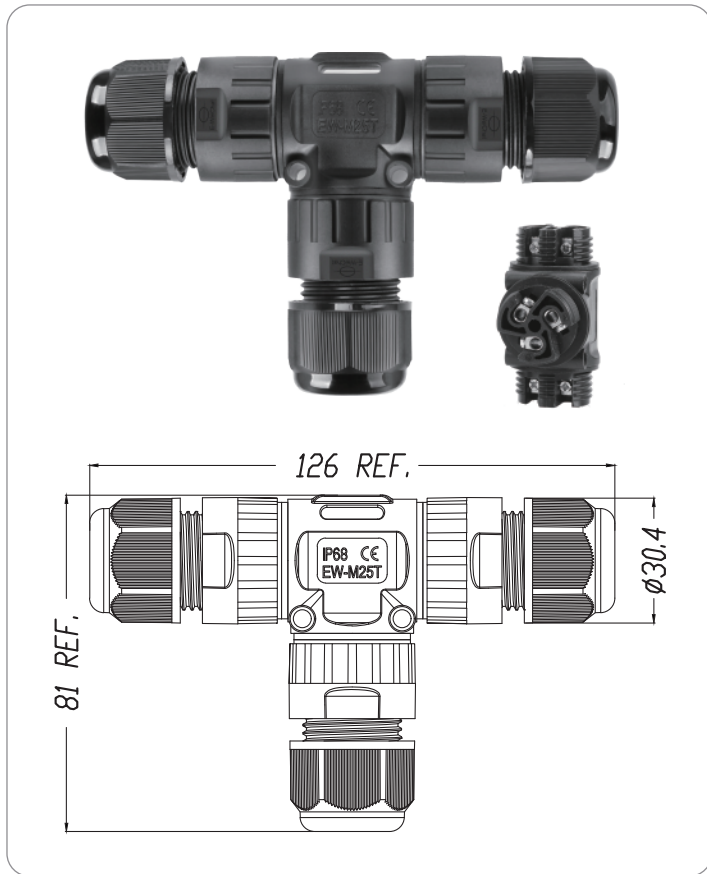


# IP68 Waterproof Connector



## EW-M25T-XP

(X can be 2/3, denoting the number of poles )

Wiring Method:

Screw wiring

Housing Material: PA66

Seal Ring Material: Silicone Rubber

Terminal Material: Copper alloy

IP Rating: IP68

Fire Rating: V0

Rated Voltage: 450V

Rated Current: 41A

Wire Section: 0.5~6mm<sup>2</sup>

Outer Cable Diameter: 5-9mm, 9-12mm, 10-14mm

Ambient Temperature: -40°C~105°C

Warranty: 3 Years

## Options

Number of Poles	2Pin	3Pin	
Seal ring			
Cable range	5~9mm	9~12mm	10~14mm
Stripping length	8~10 mm		

## Packaging

Export Carton (L\*W\*H): 42\*30\*34cm

Quantity: 20pcs / PE PACK

160pcs / CTN

Gross Weight: 19.2KGs



## Installation Illustration

