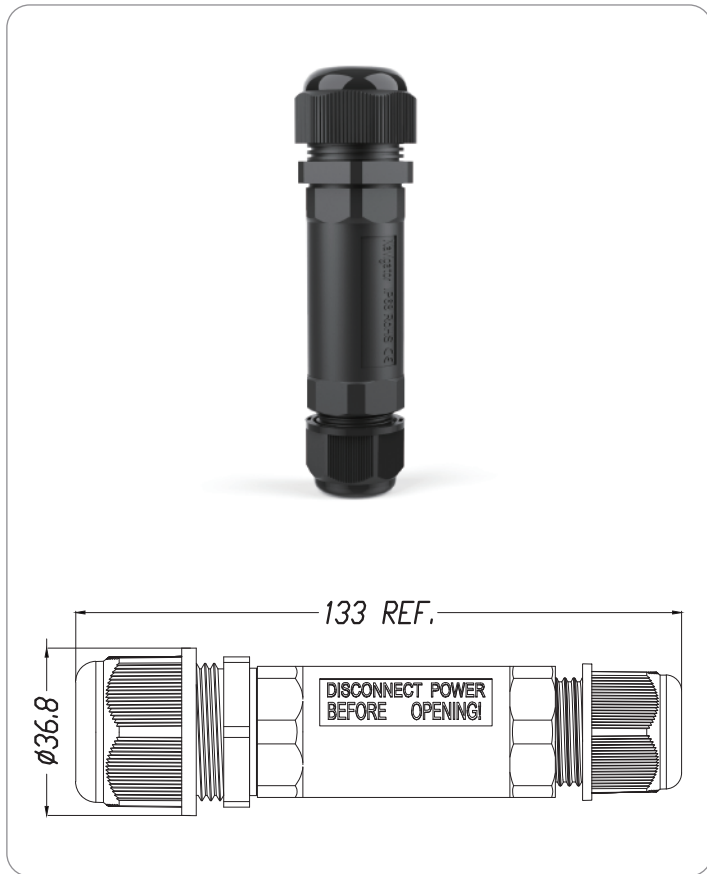


# IP68 Waterproof Connector



## EW-M25I-XP

(X can be 2/3/4/5, denoting the number of poles)

Wiring methods:

Screw wiring

Housing Material: PA66

Seal Ring Material: Silicone Rubber

Terminal Material: Copper alloy

IP Rating: IP68

Fire Rating: V0

Rated Voltage: 450V

Rated Current: 32A

Wire Section: 0.5~4mm<sup>2</sup>

Outer Cable Diameter: 5-9mm, 9-12mm, 10-14mm

Ambient Temperature: -40°C~105°C

Warranty: 3 Years

## Options

Number of Poles	2Pin	3Pin	4Pin	5Pin
Seal ring				
Cable range	5~9mm	9~12mm	10~14mm	
Stripping length	6~8 mm			

## Packaging

Export Carton (L\*W\*H): 42\*30\*34cm

Quantity: 25pcs / PE PACK

250pcs / CTN

Gross Weight: EW-M25I-3P --- 13.3KGs

EW-M25I-4P --- 14KGs



## Installation Illustration

