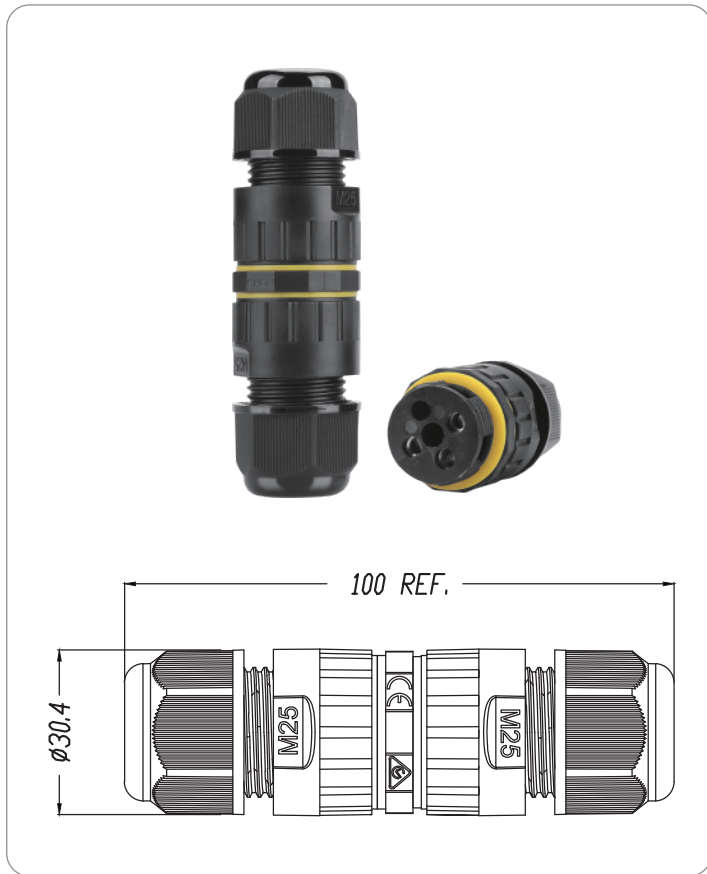


# IP68 Waterproof Connector



## EW-M25-XP

(X can be 2/3/4/5, denoting the number of poles )

Wiring methods:

Screw wiring

Housing Material: PA66

Seal Ring Material: Silicone Rubber

Terminal Material: Copper alloy

IP Rating: IP68

Fire Rating: V0

Rated Voltage: 400V

Rated Current: 2-4Pin: 41A; 5Pin: 24A

Wire Section: 2-4Pin: 0.5~6mm<sup>2</sup>; 5Pin: 0.5~2.5mm<sup>2</sup>

Outer Cable Diameter: 5-9mm, 9-12mm, 10-14mm

Ambient Temperature: -40°C~105°C

Warranty: 3 Years

## Packaging

Export Carton (L\*W\*H): 42\*30\*26cm

Quantity: 25pcs / PE PACK

250pcs / CTN

Gross Weight: EW-M25-4P --- 15.6KGs

## Options

Number of Poles	2Pin	3Pin	4Pin	5Pin
Seal ring				
Cable range	5~9mm	9~12mm	10~14mm	
Stripping length	8~10 mm			



## Installation Illustration

