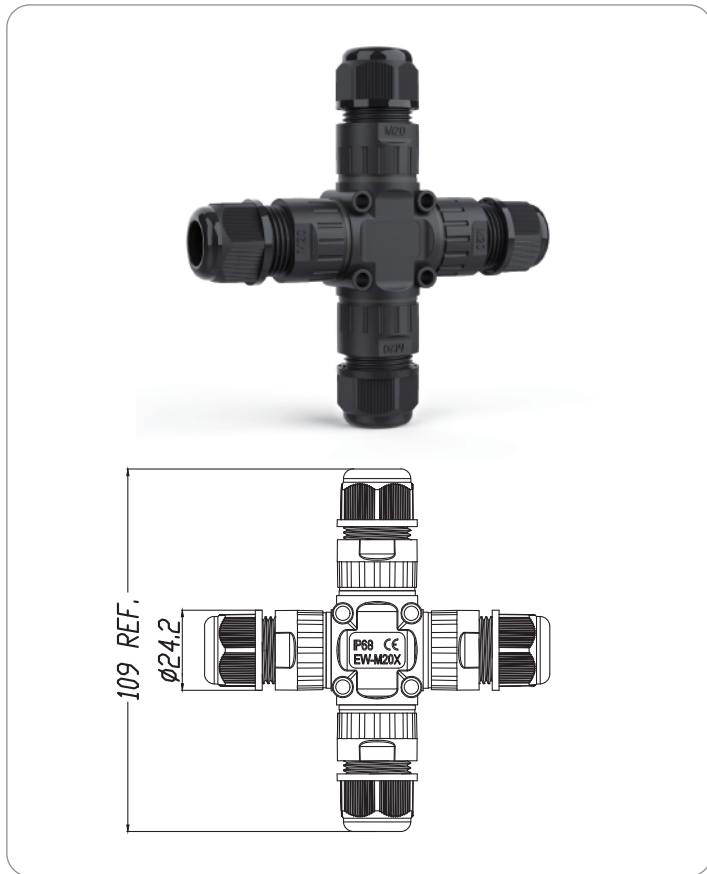


IP68 Waterproof Connector



EW-M20X-XP

(X can be 2/3, denoting the number of poles)

Wiring Method:

Screw wiring

Housing Material: PA66

Seal Ring Material: Silicone Rubber

Terminal Material: Copper alloy

IP Rating: IP68

Fire Rating: V0

Rated Voltage: 450V

Rated Current: 24A



Wire Section: 0.5~2.5mm²

Outer Cable Diameter: 5-9mm, 9-12mm

Ambient Temperature: -40°C~105°C

Warranty: 3 Years

Options

Number of Poles	 2Pin	 3Pin
Seal ring		
Cable range	5~9mm	9~12mm
Stripping length	6~8 mm	

Packaging

Export Carton (L*W*H): 42*30*34cm

Quantity: 20pcs / PE PACK

200pcs / CTN



Installation Illustration

