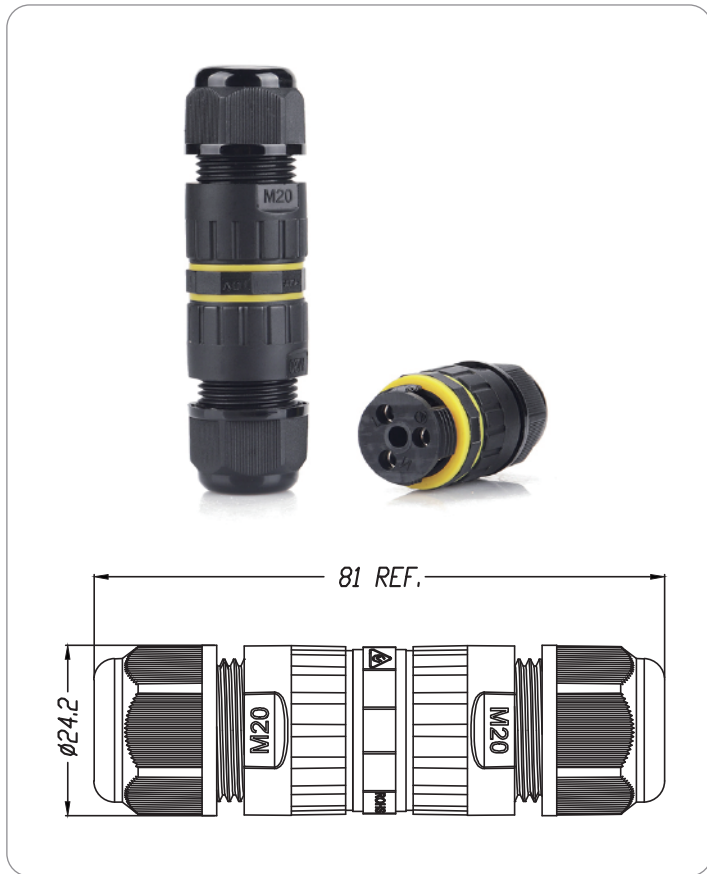


IP68 Waterproof Connector



EW-M20-XP

(X can be 2/3/4/5/6, denoting the number of poles)

Wiring methods:

Screw wiring

Housing Material: PA66

Seal Ring Material: Silicone Rubber

Terminal Material: Copper alloy

IP Rating: IP68

Fire Rating: V0

Rated Voltage: 400V

Rated Current: 2-4Pin: 24A; 5/6Pin: 17.5A

Wire Section: 2-4Pin: 0.5~2.5mm²; 5/6Pin: 0.5~1.5mm²

Outer Cable Diameter: 5-9mm, 9-12mm

Ambient Temperature: -40°C~105°C

Warranty: 3 Years

Packaging

Export Carton (L*W*H): 42*30*26cm

Quantity: 100pcs / PE PACK

500pcs / CTN

Gross Weight: EW-M20-2P --- 14.5KGs

EW-M20-3P --- 15.5KGs

EW-M20-4P --- 16KGs

EW-M20-5P --- 16.5KGs

Options

Number of Poles	2Pin	3Pin	4Pin	5Pin	6Pin
Seal ring					
Cable range	5~9mm		9~12mm		
Stripping length	6~8 mm				



Installation Illustration

