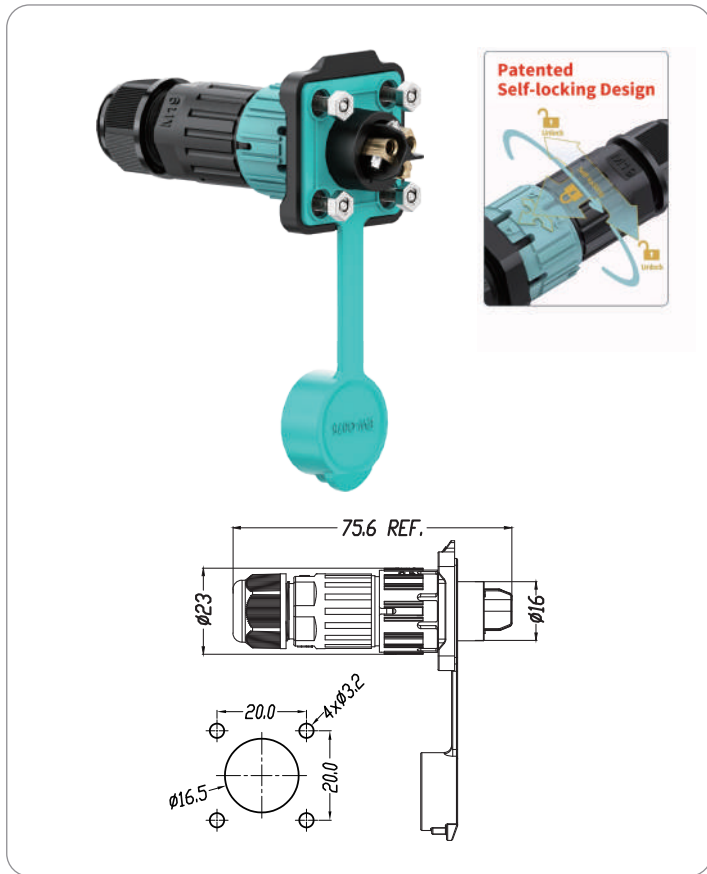


# IP68 Waterproof Connector



## EW-M19MP-XP (Flange)

(X can be 3, denoting the number of poles)

Wiring methods:

Welding connection: Suitable for 3 pins

Screw connection: Suitable for 3 pins

Housing Material: PA66

Seal Ring Material: Silicone Rubber

Terminal Material: Copper alloy

IP Rating: IP68

Fire Rating: UL94 V-0

Rated Voltage: 450V

Rated Current: 20A

Wire Section: 0.5~2.5mm<sup>2</sup>

Outer Cable Diameter: 3.5-7mm, 5-8mm, 7-10mm

Pluggable Life: 1,500 times

Ambient Temperature: -40°C~105°C

Warranty: 3 Years

### Packaging

Export Carton (L\*W\*H): 42\*30\*26cm

Quantity: 100pcs / PE PACK (Male & Female end packed individually)

600 sets / CTN

Gross Weight: Est. 21KGs(The actual weight will be a little

bit different per different SKUs)



### Options

Number of Poles	 3Pin		
Seal ring			
Cable range	3.5~7mm	5~8mm	7~10mm
Stripping length	6~7mm		

### Installation Illustration

