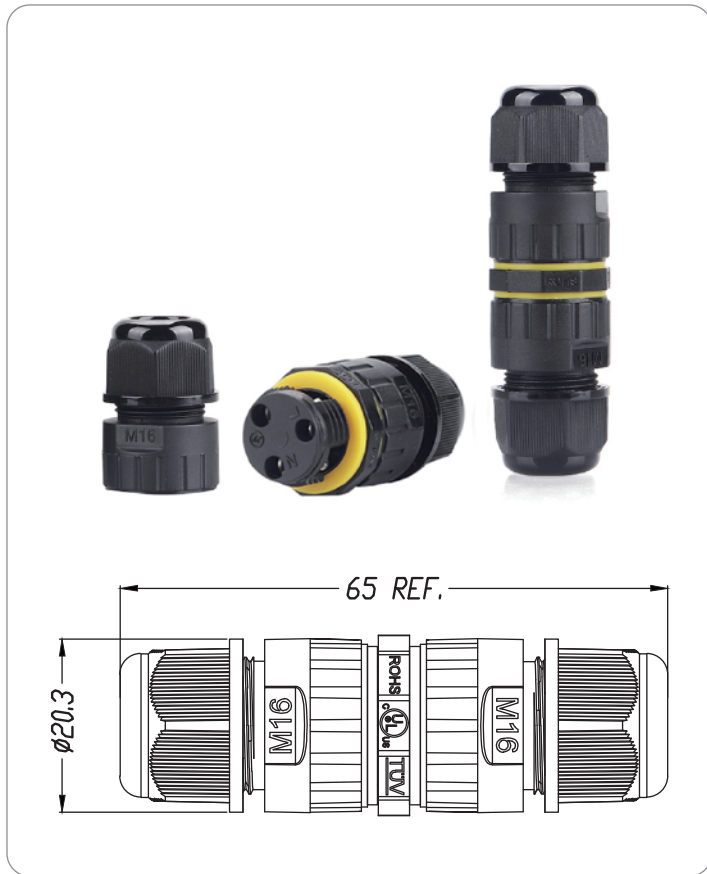


IP68 Waterproof Connector



EW-M16-XP

(X can be 2/3, denoting the number of poles)

Wiring methods:

Screw wiring

Housing Material: PA66

Seal Ring Material: Silicone Rubber

Terminal Material: Copper alloy

IP Rating: IP68

Fire Rating: V0

Rated Voltage: 400V

Rated Current: 17.5A






Wire Section: 0.5~1.5mm²

Outer Cable Diameter: 3.5-7mm, 5-8mm, 7-10mm

Ambient Temperature: -40°C~105°C

Warranty: 3 Years

Options

Number of Poles	 2Pin	 3Pin	
Seal ring			
Cable range	3.5~7mm	5~8mm	7~10mm
Stripping length	6~7 mm		

Packaging

Export Carton (L*W*H): 42*30*34cm

Quantity: 100pcs / PE PACK

1,000pcs / CTN

Gross Weight: EW-M16-2P --- 17.0KGs

EW-M16-3P --- 18.8KGs



Installation Illustration

